

CMKS-L DIES CONSTRUCTION SHEET



Terminal/Contact Model No.	SWPR-001T-P025	Die set Model No.	SWPR/T-001-025
	SWPT-001T-025	Applicator Model No.	CMKS-L
		Applicator Mfg No.	
		Crimp shape	(wire) N-1.4 (ins) N-1.4

Clearance between Crimper (B) and Shear blade

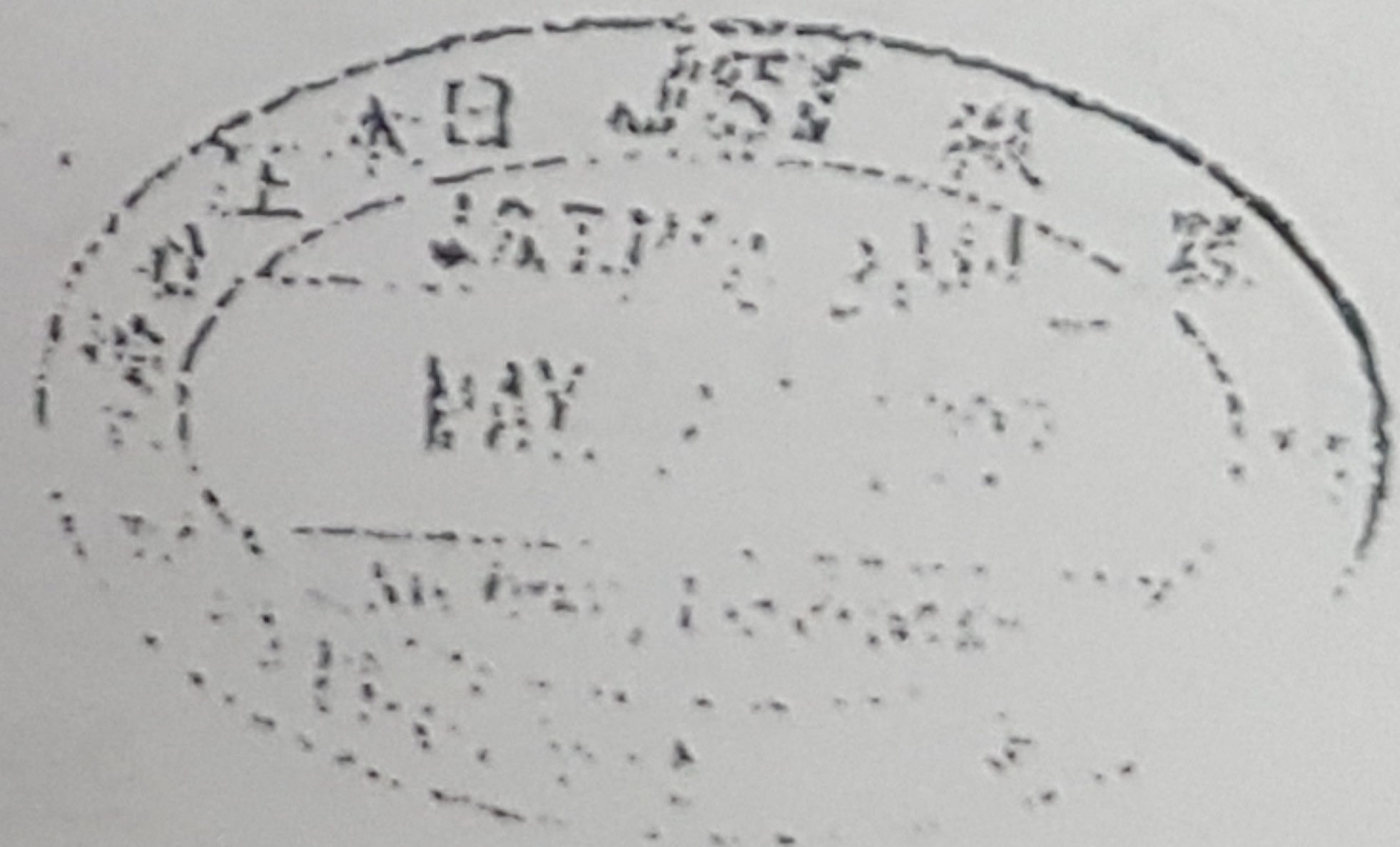
0.1

Description	No.	Description	No.
Crimper (A)	63608	Crimper anvil (A)	C75908
Crimper (B)	64624	Crimper anvil (B)	
Spacer (A)	65300	Tongue hold punch spring	87110
Spacer (B)			
Spacer (C)			
Punch	68980	Spacer	C77340
Die holder	67650	Shear blade	C74135
Spring		Shear blade supporter	C73120
Wire block	A327	Shear blade base	C78010
Insulation block	B262	Shear blade spring	C87010
Wire hold punch	68255	Feed finger	G6190
Wire hold punch spring	87270	Feed finger holder	G6130
Guide plate (L)	C81415	Stripper	91455
Guide plate (R)	C82198	Stripper bracket	
Feed plate	C84620	Stripper pin	
Pressure plate	C83170		
Pressure spring (2pcs)	87001	Scrap cover	C95310
Tongue hold punch	68865		
Tongue hold punch holder	68750		

Wire and Crimp height

Remarks

Wire		Crimp height (mm)	
Type	Size	Wire	Ins
UL1430	#26	0.80±0.05	1.8
UL1007	#24	0.85±0.05	1.9
UL1007	#22	0.92±0.05	2.1



Shipped to :

Date

Die adjuster

No.

CP-CS720



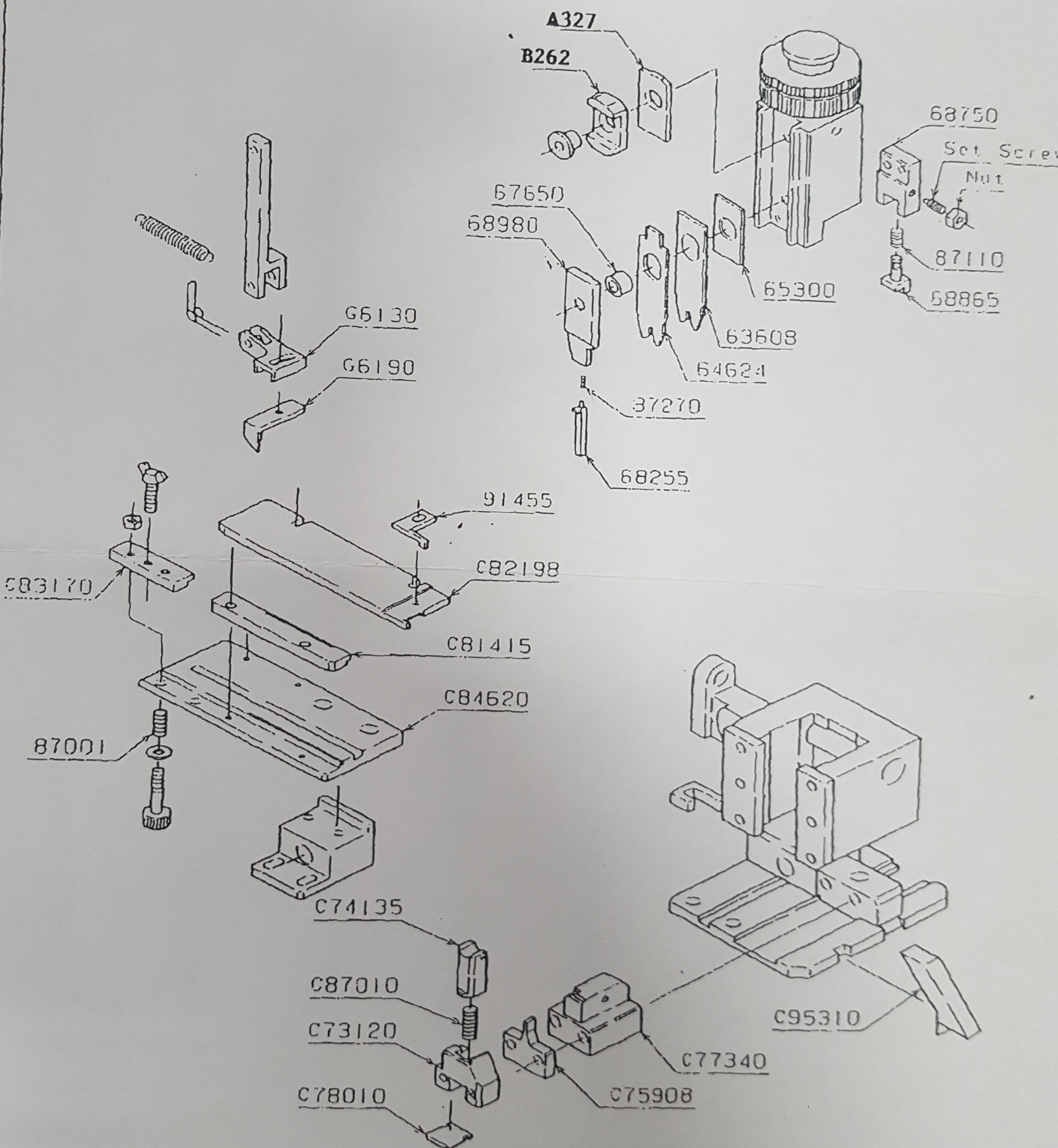
JST

Side-Feeding Applicator
CMKS-L
Die Set Assembly

No. CP-05720

Applicable
terminal/
contact

SWPR/T-001-025



Date	Drawn by
MAY. 28. '02	K. FUJII