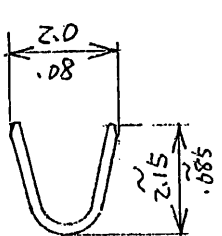
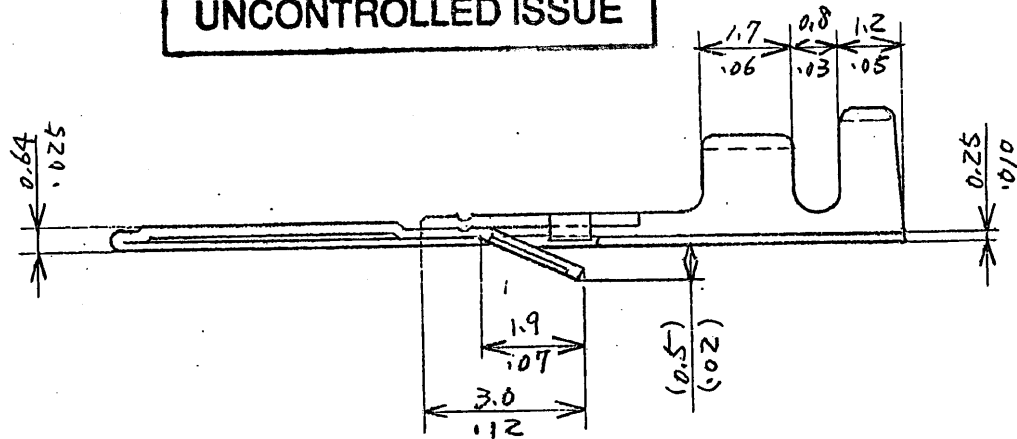
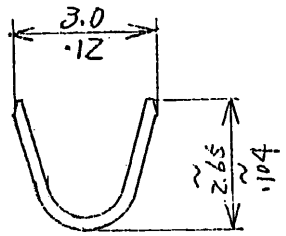


THIS DRAWING/DOCUMENT IS THE PROPERTY OF J.S.T. (U.K.) LTD. IT MUST NOT BE COPIED OR USED FOR MANUFACTURE WITHOUT WRITTEN PERMISSION FROM J.S.T. (U.K.) LTD.

UNCONTROLLED ISSUE



WIRE BARREL



INSULATION BARREL

1. DIMENSIONS ARE IN $\frac{M.M}{INCH}$
 2. UNLESS OTHERWISE SPECIFIED
 TOLERANCES $\pm \frac{0.3}{.02}$

				REVISIONS	
No.	NAME	MATERIAL	REMARKS		
	MIN CONTACT	PHOSPHOR BRONZE	TIN PLATED		
J. S. T.				PART NAME	SM-CONNECTOR
APPROVED BY	CHECKED BY	DRAWN BY	SCALE	PROJECTION	DATE
HH		E.O	$\frac{1}{4}$	3rd	Aug. 20 1991
				PART No.	BY $\frac{1}{4}$ + SYM-001T-P0.6
				DRAWING No.	KRD-9979
				ISSUE	