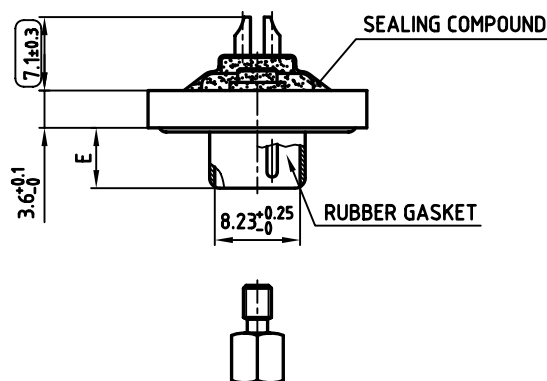
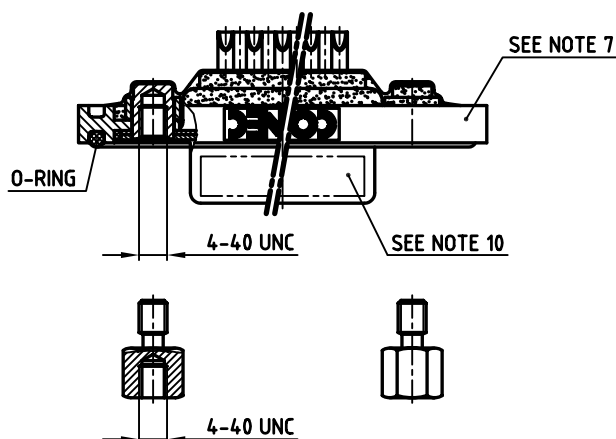
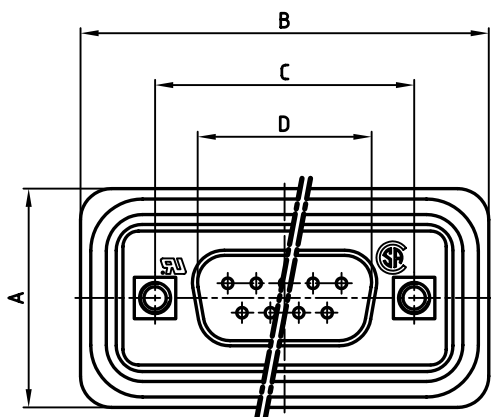


used for: D-SUB

AT ALL TIMES WATER RESISTANT CONNECTORS NOT IN USE SHOULD BE COVERED WITH A CONEC WATER RESISTANT CAP OR WATER TIGHT HOOD.

POS.	A +0.2	B +0.2	C	D +0.25	E -0.30	Part-NO.
9	21.1	39.4	25.00 <sup>+0.12</sup> / <sub>-0.13</sub>	16.79	5.82	6STD09PCM99B30X
15	21.1	47.7	33.30 <sup>+0.15</sup> / <sub>-0.1</sub>	25.12	5.82	6STD15PCM99B30X
25	21.1	61.4	47.04 ±0.13	38.84	5.69	6STD25PCM99B30X
37	21.1	77.9	63.50 ±0.13	55.30	5.69	6STD37PCM99B30X



**NOTES:**

1. METALSHELLS: COPPER ALLOY; min. 320µ" TIN
2. INSULATORS: PBT GF UL 94 V-0, BLACK
3. CONTACTS: COPPER ALLOY  
PLATING: 30µ" HARD GOLD OVER min. 50µ" NICKEL  
SOLDER CUP ACCEPTS CABLE AWG 20
4. THREADED INSERT: COPPER ALLOY; min. 200µ" TIN over 80µ" NICKEL
5. COLLAR: COPPER ALLOY; min. 200µ" TIN over 80µ" NICKEL
6. HEXLOCKING SCREW: STAINLESS STEEL
7. FRAME: ZINC DIECAST; NICKEL PLATED
- ⓑ 8. OPERATION TEMPERATURE: -40°C TO +105°C
- ⓑ 9. RECOMMENDED TORQUE FOR MOUNTING SCREW 35Ncm / max. 40Ncm
10. CONNECTOR IS PART MARKED: PART-NO. CONEC ABC
11.    = CHECK DIMENSION

Directive 2002/95/EC  
 „RoHS“  
 Compliant

APPROVAL * FREIGABE * DEBLOCAGE * AUTORIZACION * APPROVAL	
CUSTOMER APPROVAL DATE:	
NAME:	TITLE:
COMPANY NAME:	
APPROVAL * FREIGABE * DEBLOCAGE * AUTORIZACION * APPROVAL	

THIS DRAWING MAY NOT BE COPIED OR REPRODUCED IN ANY WAY, AND MAY NOT BE PASSED ON TO A THIRD PARTY, WITHOUT WRITTEN PERMISSION. OWNERSHIP AND COPYRIGHT OF CONEC GmbH DO NOT ALTER CAD DRAWING BY HAND

2 x b	Ä 2443	14.02.2006	Lehmen
a	Origin		
rev.	description	date	name

tolerance		 dim. in mm	scale: 2:1
			material: SEE NOTES
		title:	
		<b>D-SUB MALE</b> 9-37pos. SOLDER CUP with threaded insert and hexlocking screw	
		dwg no:	AutoCAD 2004 DIN-A
		18K1A372	
		part no: SEE TABLE	
		3 sh: 1/1	