

Data Sheet

RP015xxVBLC

Page 1/5

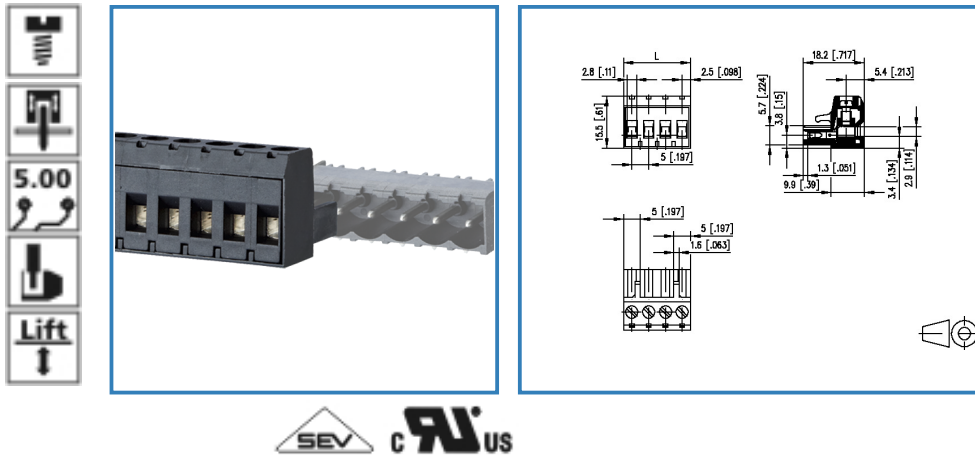
P/N

313491xx

xx=number of poles

2017/01/24

Illustration



see enlarged drawing at the end of the document

Product specification

- screw type terminal block, pluggable
- centerline 5.00 mm, direction of connection vertical 0°
- lift system, fittable without loss of poles
- color black
- wire entry codeable side perpendicular to plug direction

Data Sheet

RP015xxVBLC

Technical Data

General Data

Tightening torque SEV	0.5 Nm		
Tightening torque UL	4.5 lb-in		
min. number of poles	2		
max. number of poles	24		
Insulating material class	CTI 600		
clearance/creepage dist.	3.6 mm		
protection category	IP 20		
Overvoltage category	III	III	II
Pollution degree	3	2	2
Rated voltage	250 V	630 V	630 V
Rated test voltage	4.0 kV	4.0 kV	4 kV


Connection data

Rated wiring solid wire	0.08 - 2.5 mm ² / AWG 28 - 12		
Rated wiring stranded wire	0.08 - 2.5 mm ² / AWG 28 - 12		

Approvals

extended wiring UL	2 AWG 16-18, or 1 AWG 16 stranded with 1 AWG 18 solid, or 1 AWG 16 stranded with 1 AWG 18 stranded		
--------------------	--	--	--

 V / A / AWG	300 / 16 / 28 - 12		
--	--------------------	--	--

	13.5 A / 320 V / 4 kV / 3 / IEC 61984 / 0.08 - 2.5 mm ²		
--	---	--	--

Material

insulating material	PA66
flammability class	V0
contact material	CuSn
Glow-Wire Flammability GWFI	960
Glow-Wire Flammability GWIT	775
contact surface	Sn
terminal body material	CuZn
terminal body surface	Ni
screw surface	Zn Cr(VI)-frei/free
screw thread	M3

Climatic properties

upper limit temperature	105 °C
lower limit temperature	-40 °C



Data Sheet

RP015xxVBLC

Page 3/5

P/N

313491xx

xx=number of poles

2017/01/24

General

Tolerance	ISO 2768 -mH
-----------	--------------



Data Sheet

RP015xxVBLC

Page 4/5

P/N

313491xx

xx=number of poles

2017/01/24

Matching Part

P/N	Product name
311761	PR065xxHBBN Typ 176
314761	PR065xxHBEC Typ 476
313381	PR075xxHBER Typ 338
313371	PR075xxHBEL Typ 337
313301	PT115xxHBBN Typ 330
313291	PT115xxHBEC Typ 329
313201	PT115xxVBBN Typ 320
313191	PT115xxVBEC Typ 319
312801	PT105xxHGDN Typ 280
312781	PT105xxVGDN Typ 278
312761	PT165xxHGDN Typ 276
312741	PT165xxVGDN Typ 274
312701	PT175xxVGDN Typ 270
311771	PR065xxVBBN Typ 177
314771	PR065xxVBEC Typ 477

Accessories

P/N	Product name
700025-01-9	700025



Data Sheet

RP015xxVBLC

Page 5/5

P/N

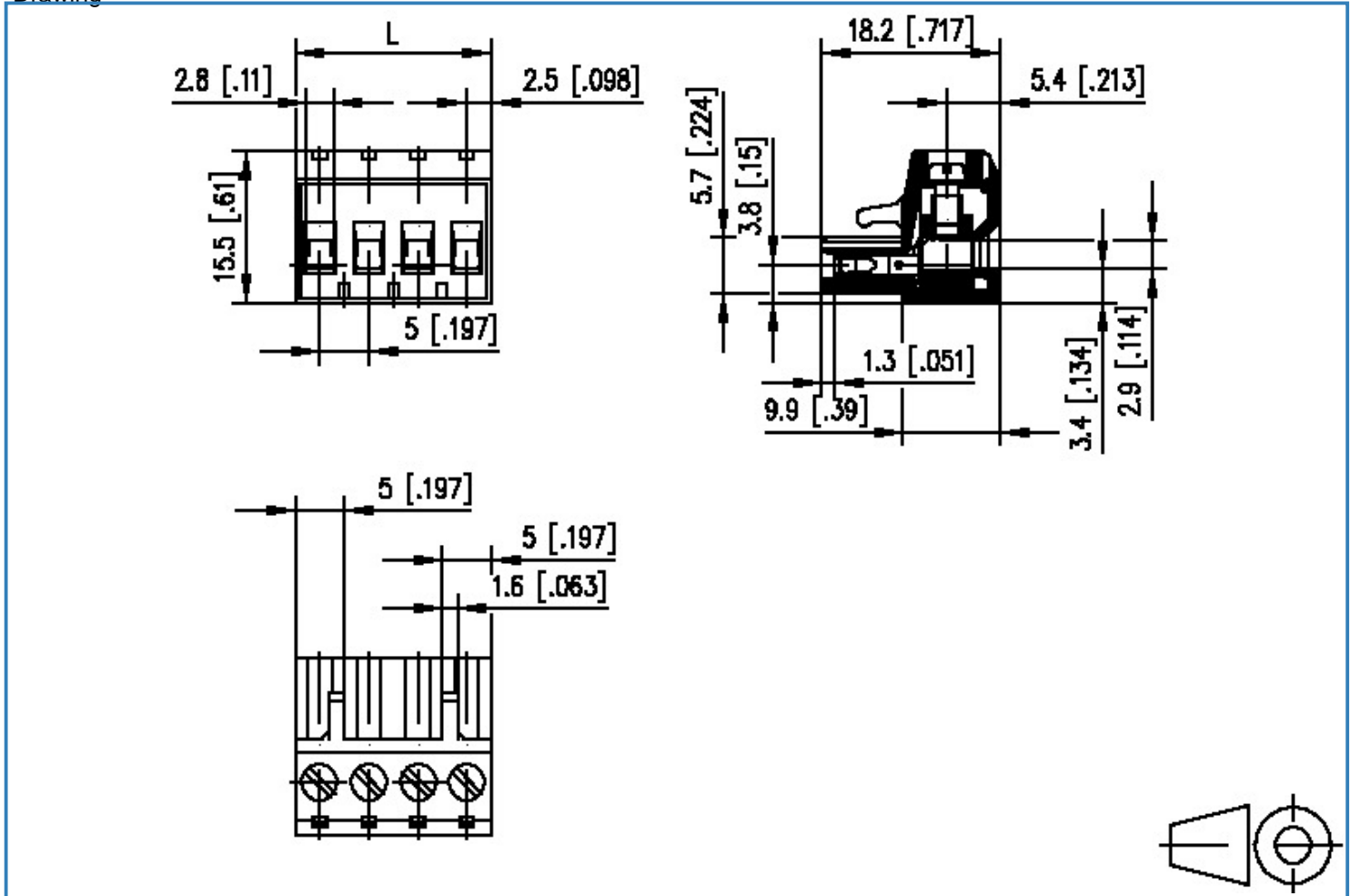
313491xx

xx=number of poles

2017/01/24

Illustration

Drawing



$L = (\text{pole size} - 1) \times \text{centerline} + 5 [0.197]$

