

Data Sheet

RT135xxHBWC

Page 1/5

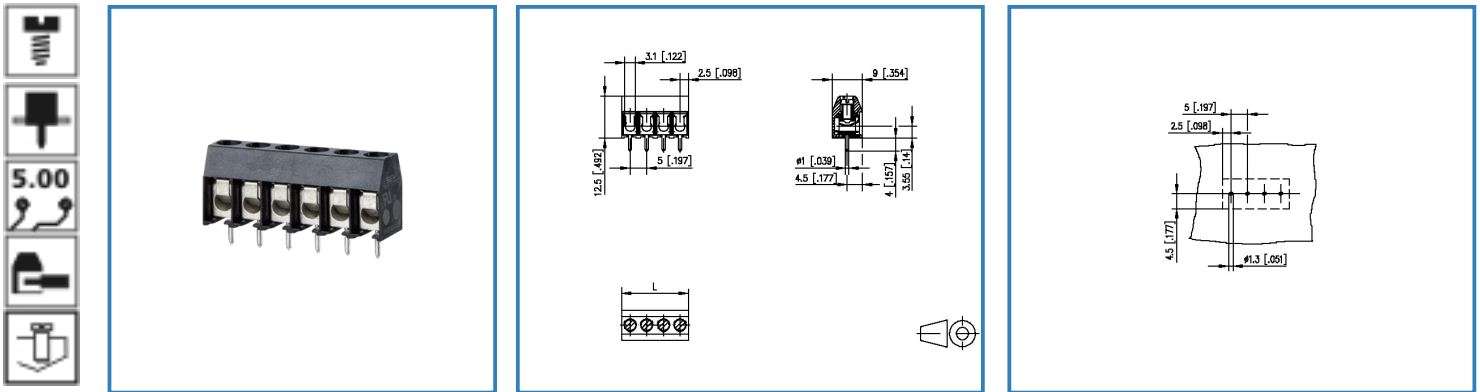
P/N

312711xx

xx=number of poles

2017/01/24

Illustration



see enlarged drawing at the end of the document

Product specification

- screw type terminal block, solderable
- centerline 5.00 mm, direction of connection 90°
- wire protector, fittable without loss of poles
- color black



Data Sheet

RT135xxHBWC

Technical Data



General Data

Tightening torque SEV	0.5 Nm		
Tightening torque UL	7 lb-in		
Solder pin length	4 mm		
min. number of poles	2		
max. number of poles	24		
Insulating material class	CTI 600		
clearance/creepage dist.	3.3 mm		
protection category	IP 20		
Overvoltage category	III	III	II
Pollution degree	3	2	2
Rated voltage	250 V	630 V	630 V
Rated test voltage	4.0 kV	4.0 kV	4 kV

Connection data

Rated wiring solid wire	0.08 - 4 mm ² / AWG 26 - 14		
Rated wiring stranded wire	0.08 - 2.5 mm ² / AWG 26 - 14		

Approvals

 V / A / AWG	300 / 15 / 26 - 14		
 2.5 mm ²	250 V / 24 A / T60		

Material

insulating material	PA66
flammability class	V0
Glow-Wire Flammability GWFI	960
Glow-Wire Flammability GWIT	775
terminal body material	CuZn
terminal body surface	Ni + Sn
screw surface	Zn Cr(VI)-frei/free
wire protector material	CuSn
wire protector surface	Sn
screw thread	M3

Climatic properties

upper limit temperature	105 °C
lower limit temperature	-40 °C



Data Sheet

RT135xxHBWC

Page 3/5

P/N

312711xx

xx=number of poles

2017/01/24

General

solderability	Acc. to JEDEC JESD22-B102E 245°C/5s
Tolerance	ISO 2768 -mH



Data Sheet

RT135xxHBWC

Page 4/5

P/N

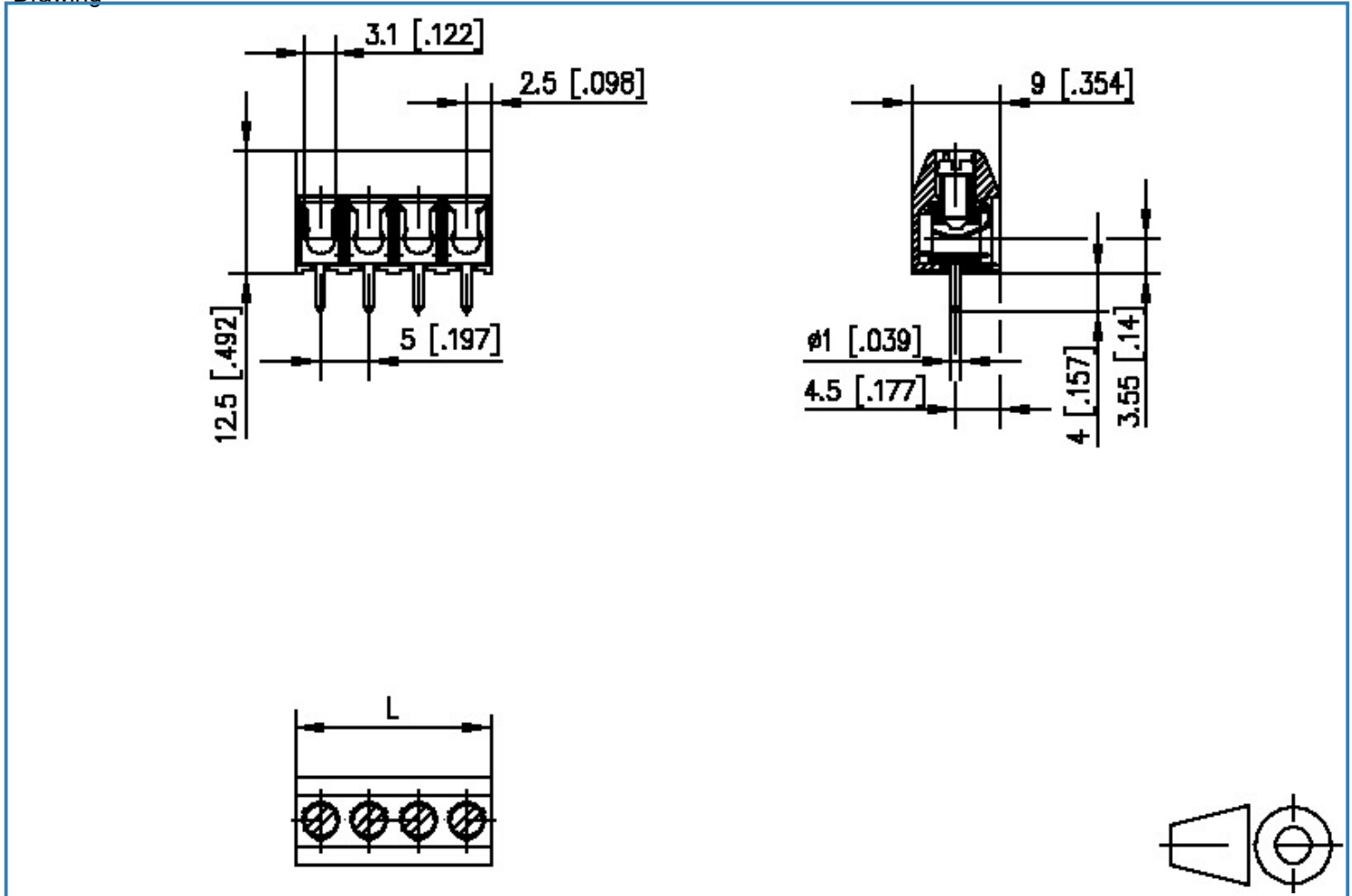
312711xx

xx=number of poles

2017/01/24

Illustration

Drawing



$L = (\text{pole size} - 1) \times \text{centerline} + 5 [0.197]$



Data Sheet

RT135xxHBWC

Page 5/5

P/N

312711xx

xx=number of poles

2017/01/24

PCB Layout

