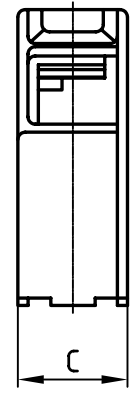
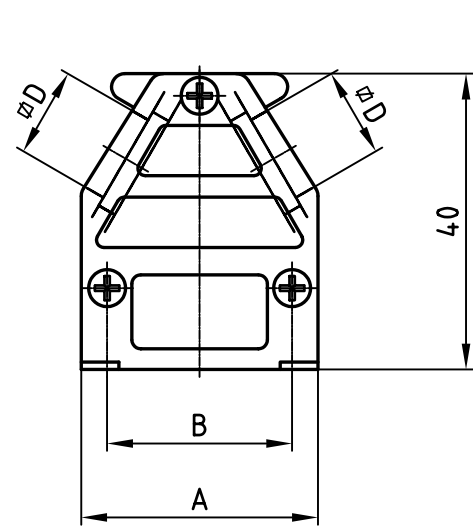
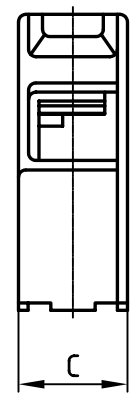
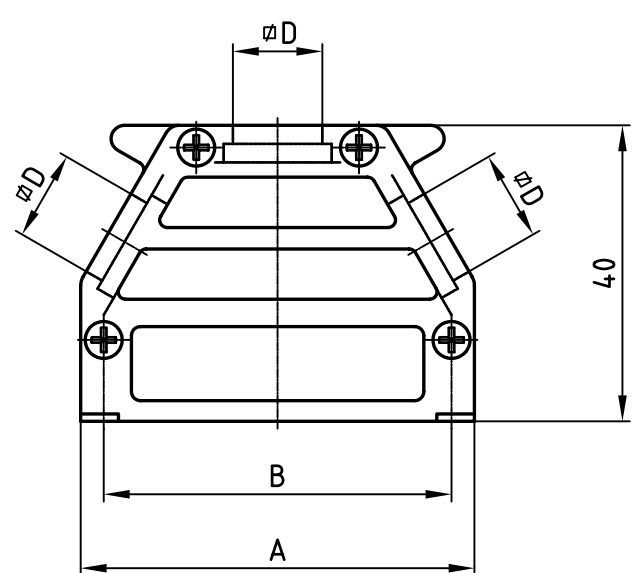


used for: D-SUB



9pos.



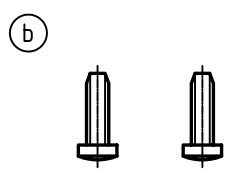
15pos. - 50pos.



spring



slide lock



screws

No. of pos.	A	B	C	∅D	Blind Plug included	Part-No. Bulk package	Part-No. Single package
9 (b)	32.0	25.0	14.8	12.1	1	165X11659X	165X11659XE
15	39.3	33.3	14.8	12.1	2	165X11669X	165X11669XE
25	53.2	47.0	14.8	12.1	2	165X11679X	165X11679XE
37	69.5	63.5	14.8	12.1	2	165X11689X	165X11689XE
50	67.0	61.1	17.8	14.6	2	165X11699X	165X11699XE

APPROVAL # FREIGABE # DEBLOCAGE # AUTORIZACION # APPROVAL

CUSTOMER APPROVAL DATE:

NAME: TITLE:

COMPANY NAME:

APPROVAL # FREIGABE # DEBLOCAGE # AUTORIZACION # APPROVAL

THIS DRAWING MAY NOT BE COPIED OR REPRODUCED IN ANY WAY, AND MAY NOT BE PASSED ON TO A THIRD PARTY WITHOUT WRITTEN PERMISSION. OWNERSHIP AND COPYRIGHT OF CONEC GmbH DO NOT ALTER CAD DRAWING BY HAND

1 x c	Ä 3720	18.08.10	Lehm.	d-old
4 x b	Ä 2240	24.05.05	HS	
a	Origin			
rev.	description	date	name	



tolerance

scale: 1:1

material: Hood: die-cast zinc

dim. in mm

2002 date name

drawn 25.06. Schmidt

appd. 25.06. E. Mickenbecker

norm

title: METAL HOOD EMI/RFI SHIELDING 9 - 50 pos. with slide lock

dwg no: AutoCAD 2000 DIN-A 3 sh:1/1

part no: SEE TABLE